

# Arena Sport

**IP23**

230V, 50/60Hz

**Dimensions:**  
 - End view: 80mm height, 92mm width, 156mm depth.  
 - Side view: 1263mm length, 1763mm length, 1163mm length, 1675mm length.  
 - Alternative side view: 235mm width, 296mm depth, 1263mm length, 1163mm length.  
 - Top view: 1193mm length, 1693mm length, 1244mm length, 1193mm length.  
 - Detail view: 80mm height, 235mm width, 296mm depth.

**Assembly:**  
 - Shows the fixture being opened with a screwdriver.  
 - Shows the internal wiring terminal block being inserted into the fixture.

**Wiring:**  
 - Terminal block configurations: 3 N ⊕ 1 2 and L3 N ⊕ L1 L2.  
 - Alternative terminal block configurations: DA DA 3 N ⊕ 1 2 and DA DA L3 N ⊕ L1 L2.  
 - Cable specifications: 0,5 - 1,0 mm<sup>2</sup> (8 mm diameter) and 1,5 - 2,5 mm<sup>2</sup> (12 mm diameter).  
 - Cable entry angle: ca. 10° (max. 20°), Max. 16A.

Rev: 21.04.2021 320818

**NORWAY**  
SG Armaturen AS

Skytterheia 25  
N-4790 Lillesand

Tel: +47 37 50 03 00  
firmapost@sg-as.no  
www.sg-as.no

**SWEDEN**

SG Armaturen AB  
Tel: +46 31 81 71 10  
info@sg-ab.se  
www.sg-ab.se

**FINLAND**

SG Armaturen Oy  
Tel: +358 02 07 30 39 60  
info@sg-oy.fi  
www.sg-oy.fi

**DENMARK**

SG Armaturen A/S  
Tel: +45 70 70 72 13  
info@sg-as.dk  
www.sg-as.dk

**UNITED KINGDOM**

SG Lighting LTD  
Tel: +47 37 50 03 00  
info@sglighting.co.uk  
www.sglighting.co.uk

**FRANCE**

SG Lighting SA/NV  
Tel: +33(0) 4 94 93 00 00  
info.france@sglighting.fr  
www.sglighting.net

**BENELUX**

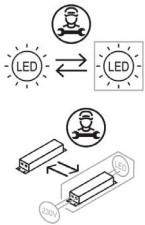
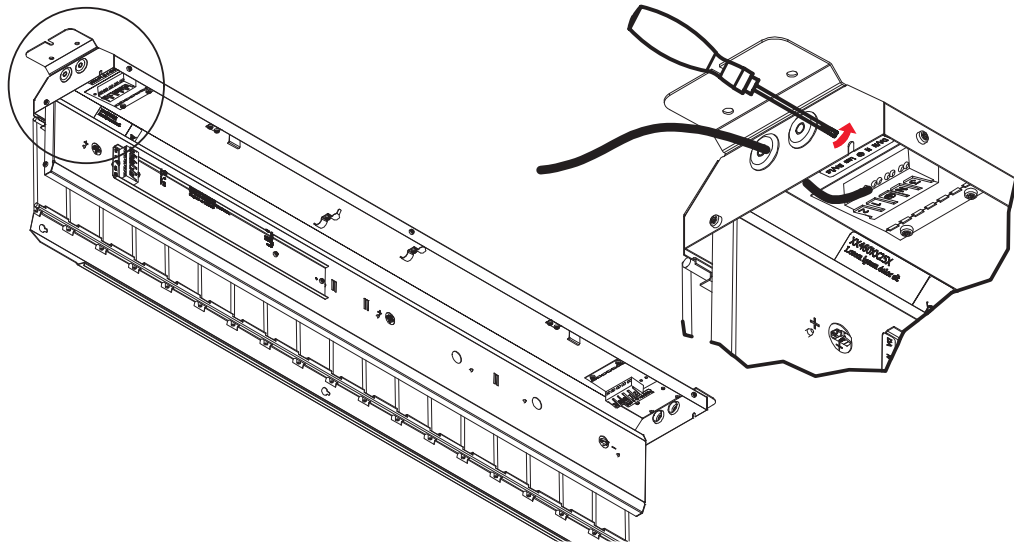
SG Lighting SA/NV  
Tel: +32(0) 15 20 72 71  
info.benelux@sglighting.net  
www.sglighting.net

**GERMANY**

SG Leuchten GmbH  
Tel: +49 40 23 99 44 59  
info@sg-leuchten.de  
www.sg-leuchten.de

**INTERNATIONAL**

SG Lighting Co Ltd.  
Tel: +86 769 88 49 20 88  
cindy@sgdgc.com  
www.sg-as.com



**NO:** Kan kun installeres og vedlikeholdes av en registrert installasjonsvirksomhet.

**DK:** Må kun installeres og vedligeholdes af uddannet elektriker.

**SE:** Skall installeras och underhållas av behörig elektriker.

**EN:** Only to be installed and maintained by an authorized electrician.

**FR:** Doit être installé et maintenu par un électricien qualifié.

**NL:** Mag alleen geïnstalleerd en onderhouden worden door een bevoegde electricien.

**DE:** Dieses Produkt darf nur durch autorisiertes Personal (z.B. Elektro-Installateur) angeschlossen, in Betrieb genommen und gewartet werden.

**FI:** Asentaa ja huoltaa saa vain valtuutettu sähköasentaja

**NO:** Skru av strømmen før montering.

**DK:** Sluk for strømmen inden montering.

**SE:** Stäng av strømmen innan montering.

**EN:** Turn off power before installing.

**FR:** Couper le courant avant l'installation.

**NL:** Stroom uitschakelen voor u het toestel installeert.

**DE:** Vor Installationsarbeiten den Strom abschalten.

**FI:** Sammuta virta ennen kytkemistä